

# Lumen Tech

Lighting, LLC.

## Design AL20S Surface Mount Area Light Maximum 2-26W PLT Compact Fluorescent With Optional Battery Backup

### Specifications

**Housing:** Heavy duty cast aluminum. Powder coated finish. See finish note.

**Lens:** High impact clear prismatic or white polycarbonate refractor with silicone gasket.

**Reflector:** One piece aluminum reflector computer designed with refractor for maximum efficiency finished white powder coat.

**Ballast:** Compact fluorescent electronic high power factor class P, universal voltage 120 thru 277 volt; 50/60 Hz.

**Lamp:** PLT lamp max. 42W, 4 pin base (by others).

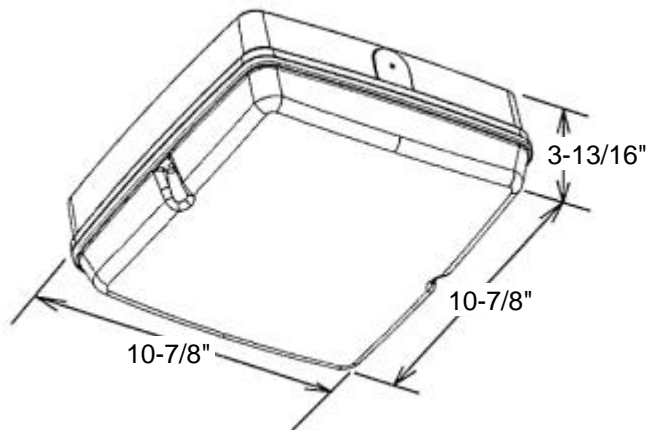
**Lamp Holder:** White thermoplastic with snap-in lamp retainer springs.

**Finish:** Black, white or gray detergent cleaned, prime coated chip resistant powder urethane polyester coating. Contact factory for other colors.

**Photometric Information:** Contact factory.

**Labels:** CSA listed suitable for wet location under covered canopy.

*SPECIFICATIONS SUBJECT TO CHANGE WITHOUT NOTICE*



### Ordering Information

Catalog Number	Watts	Light Source
<b>Clear Prismatic Polycarbonate Lens</b>		
AL20SCT18	1-18W	Compact Fluorescent
AL20SCT26	1-26W	Compact Fluorescent
AL20SCT32	1-32W	Compact Fluorescent
AL20SCT42	1-42W	Compact Fluorescent
AL20SC2T18	2-18W	Compact Fluorescent
AL20SC2T26	2-26W	Compact Fluorescent

### White Polycarbonate Lens

AL20SWT18	1-18W	Compact Fluorescent
AL20SWT26	1-26W	Compact Fluorescent
AL20SWT32	1-32W	Compact Fluorescent
AL20SWT42	1-42W	Compact Fluorescent
AL20SW2T18	2-18W	Compact Fluorescent
AL20SW2T26	2-26W	Compact Fluorescent

### Options

Battery Backup	Order Catalog Number
One Hour	B1
Three Hour	B3

### Color Options

Black  
White  
Gray

### Suffix Catalog Number With

BL  
WH  
GR