

Lumen Tech

Lighting, LLC.

Design AL12

Surface Mount Area Light
Maximum 175W Metal Halide
150W High Pressure Sodium
Or 42W PLT Compact Fluorescent
With 1/2" Hole For Optional Photocell

Specifications

Housing: Heavy duty cast aluminum. Powder coated finish. See finish note.

Lens: High impact polycarbonate refractor with silicone gasket.

Reflector: One piece anodized aluminum reflector computer designed with refractor for maximum efficiency.

Ballast: H.I.D. Pre-wired C.W.A., H.P.F. core and coil with capacitor. **CF** Compact fluorescent electronic high power factor class P, universal voltage 120 thru 277 volt; 50/60 Hz.

Lamp: H.I.D. Clear medium base. **CF** PLT lamp max. 42W, 4 pin base (by others).

Lamp Holder: H.I.D.: High heat 4 K.V. rated, w/nickel plated copper screw shell, spring loaded center contact.

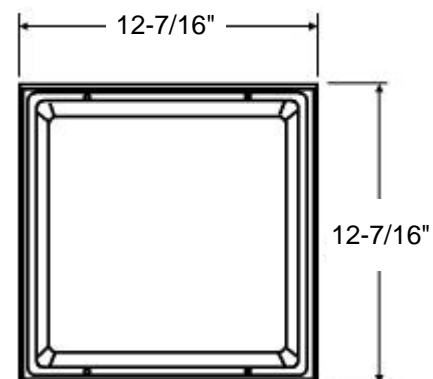
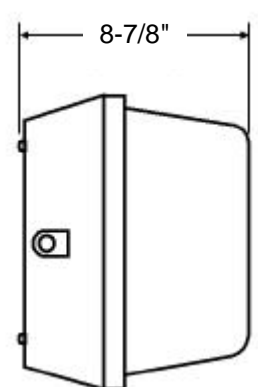
CF: White thermoplastic with snap-in lamp retainer springs.

Finish: Bronze, detergent cleaned, prime coated chip resistant powder urethane polyester coating. Contact factory for other colors.

Photometric Information: Contact factory.

Labels: U/L, CUL listed suitable for wet location under covered canopy.

SPECIFICATIONS SUBJECT TO CHANGE WITHOUT NOTICE



Ordering Information

Catalog Number	Watts	Light Source
AL12T26	26	Compact Fluorescent
AL12T32	32	Compact Fluorescent
AL12T42	42	Compact Fluorescent
AL1270H	70	HPS
AL12100H	100	HPS
AL12150H	150	HPS
AL1270M	70	MH
AL12100M	100	MH
AL12150M	150	MH
AL12175M	175	MH