

Lumen Tech

Lighting, LLC.

Design AL19

Surface Mount Area Light
Maximum 400 Watt Metal Halide
Or High Pressure Sodium

Specifications

Housing: Heavy duty cast aluminum. White powder coated finish. See finish note.

Door: Heavy duty cast aluminum hinged to housing, silicone rubber gasket to prevent dirt/water contamination. Tool-less entry for quick access to lamp/ballast compartment. Finished to match housing. See finish note.

Lens: High impact/heat resistant borosilicate glass refractor computer designed for wide distribution pattern, silicone sealed to door frame.

Reflector: Anodized aluminum, computer designed in conjunction with the lens for efficiency.

Ballast: Pre-wired C.W.A., H.P.F. core and coil with capacitor.

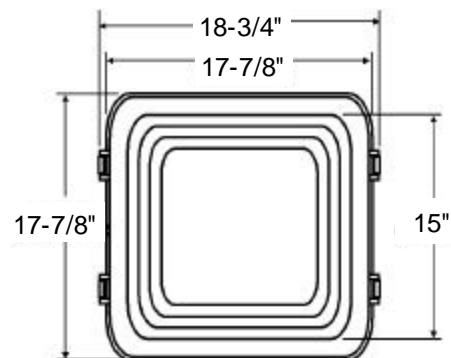
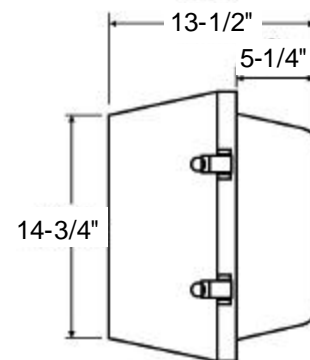
Lamp: Clear mogul base lamp (by others).

Lamp Holder: High heat 4 K.V. rated, w/nickel plated copper screw shell, spring loaded center contact.

Finish: White, detergent cleaned, prime coated. Chip resistant powder urethane polyester coating.

Photometric Information: Contact factory.

Labels: U/L, CUL listed suitable for wet location, under covered canopy applications.



SPECIFICATIONS SUBJECT TO CHANGE WITHOUT NOTICE

Ordering Information

Catalog Number	Watts	Light Source
AL19150H	150	HPS
AL19250H	250	HPS
AL19400H	400	HPS
AL19150M	150	MH
AL19175M	175	MH
AL19200MP	200	MH PS
AL19250M	250	MH
AL19250MP	250	MH PS
AL19325MP	325	MH PS
AL19350MP	350	MH PS
AL19400M	400	MH
AL19400MP	400	MH PS