

Lumen Tech

Lighting, LLC.

Design F215

Adjustable Swivel / Slip-Fitter Mount Flood Light
Maximum 175W Metal Halide
150W High Pressure Sodium
Or 42W PLT Compact Fluorescent

Specifications

Housing: Heavy duty cast aluminum with silicone gasket. Powder coated finish. See finish note.

Lens: Clear tempered glass silicone sealed to door frame.

Reflector: Anodized aluminum, computer designed for efficiency.

Ballast: H.I.D.: Pre-wired C.W.A., H.P.F. core and coil with capacitor. **CF:** Compact fluorescent electronic high power factor class P, universal voltage 120 thru 277 volt; 50/60 Hz.

Lamp: H.I.D.: Clear medium base. **CF:** PLT lamp, 4 pin base (by others).

Lamp Holder: H.I.D.: High heat 4 K.V. rated, w/nickel plated copper screw shell, spring loaded center contact.

CF: White thermoplastic with snap-in lamp retainer springs.

Finish: Bronze, detergent cleaned, prime coated chip resistant powder urethane polyester coating. Contact factory for other colors.

Photometric Information: Contact factory.

Labels: U/L, CUL listed suitable for wet location.

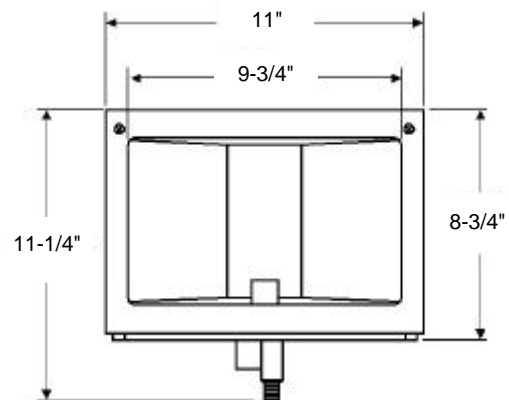
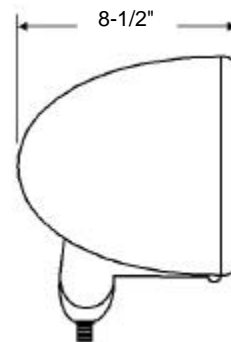
SPECIFICATIONS SUBJECT TO CHANGE WITHOUT NOTICE

Ordering Information

Catalog Number	Watts	Light Source
F215T26	26	Compact Fluorescent
F215T32	32	Compact Fluorescent
F215T42	42	Compact Fluorescent
F21570H	70	HPS
F215100H	100	HPS
F215150H	150	HPS
F21570M	70	MH
F215100M	100	MH
F215150M	150	MH
F215175M	175	MH

For Swivel Mount Suffix Catalog# With "SV"

For Slip-Fitter Mount Suffix Catalog# With "SF"



Optional Mounting Plate **F215MP**



Swivel Mount Option



2-3/8" Tenon Slip-Fitter Mount Option