

Lumen Tech

Lighting, LLC.

Design F219S

Slip-Fitter Mount Flood Light
With Lens Guard Maximum 400W Metal Halide
Or High Pressure Sodium

Specifications

Housing: Heavy duty cast aluminum with silicone gasket. Powder coated finish. See finish note.

Lens: Clear tempered glass silicone sealed to door frame.

Reflector: Anodized aluminum, computer designed for efficiency.

Ballast: Pre-wired C.W.A., H.P.F. core and coil with capacitor.

Lamp: Clear mogul base. (by others).

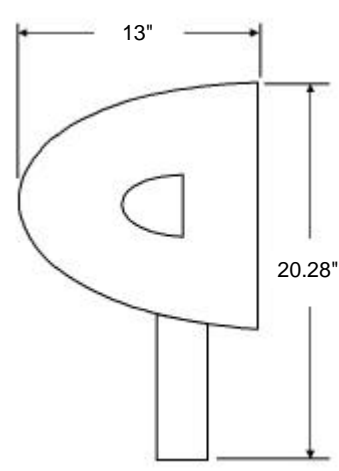
Lamp Holder: High heat 4 K.V. rated, w/nickel plated copper screw shell, spring loaded center contact.

Finish: Bronze, detergent cleaned, prime coated chip resistant powder urethane polyester coating. Contact factory for other colors.

Photometric Information: Contact factory.

Labels: U/L, CUL listed suitable for wet location.

SPECIFICATIONS SUBJECT TO CHANGE WITHOUT NOTICE



Ordering Information

Catalog Number	Watts	Light Source
F219S250H	250	HPS
F219S400H	400	HPS
F219S250M	250	MH
F219S250MP	250	MH Pulse Start
F219S320MP	320	MH Pulse Start
F219S350MP	350	MH Pulse Start
F219S400M	400	MH
F219S400MP	400	MH Pulse Start

