

Lumen Tech

Lighting, LLC.

Design F224

Adjustable Swivel / Slip-Fitter Mount Flood Light
Maximum 175 Watt Metal Halide
Or 150 Watt High Pressure Sodium

Specifications

Housing: Heavy duty cast aluminum with silicone gasket. Bronze powder coated finish. See finish note.

Lens: High impact/heat resistant clear tempered glass silicone sealed to door frame.

Reflector: Anodized aluminum, computer designed for efficiency.

Ballast: Pre-wired C.W.A., H.P.F. core and coil with capacitor.

Lamp: Clear medium base lamp (by others).

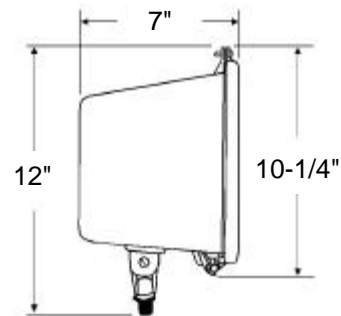
Lamp Holder: High heat 4 K.V. rated, w/nickel plated copper screw shell, spring loaded center contact.

Finish: Bronze, detergent cleaned, prime coated. Chip resistant powder urethane polyester coating.

Photometric Information: Contact factory.

Labels: U/L, CUL listed suitable for wet location.

SPECIFICATIONS SUBJECT TO CHANGE WITHOUT NOTICE



Ordering Information

Catalog Number	Watts	Light Source
F22450H	50	HPS
F22470H	70	HPS
F224100H	100	HPS
F224150H	150	HPS
F22450M	50	MH
F22470M	70	MH
F224100M	100	MH
F224150M	150	MH
F224175M	175	MH

For swivel mount suffix catalog number with "SV".

For slip-fitter suffix catalog number with "SF".



F224MP Mounting Plate
Option



2-3/8" Slip-Fitter Mount