

Lumen Tech

Lighting, LLC.

Design F241
Adjustable Yoke Mount
Maximum 400 Watt Metal Halide
Or High Pressure Sodium

Specifications

Housing: Heavy duty cast aluminum with silicone gasket. Bronze powder coated finish. See finish note.

Lens: High impact/heat resistant clear tempered glass silicone sealed to door frame.

Reflector: Anodized aluminum, computer designed for efficiency.

Ballast: Pre-wired C.W.A., H.P.F. core and coil with capacitor.

Lamp: Clear mogul base lamp (by others).

Lamp Holder: High heat 4 K.V. rated, w/nickel plated copper screw shell, spring loaded center contact.

Finish: Bronze, detergent cleaned, prime coated. Chip resistant powder urethane polyester coating.

Photometric Information: Contact factory.

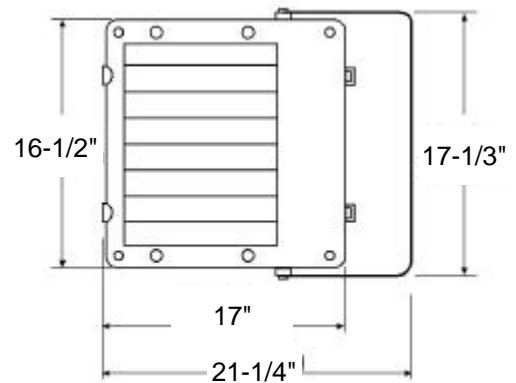
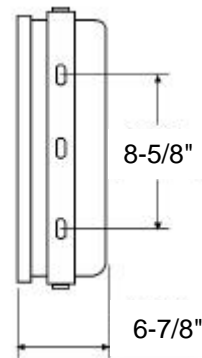
Labels: U/L, CUL listed suitable for wet location.



SPECIFICATIONS SUBJECT TO CHANGE WITHOUT NOTICE

Ordering Information

Catalog Number	Watts	Light Source
F241150H	150	HPS
F241250H	250	HPS
F241400H	400	HPS
F24175M	175	MH
F241250M	250	MH
F241250MP	250	MH PS
F241320MP	320	MH PS
F241350MP	350	MH PS
F241400M	400	MH
F241400MP	400	MH PS



Options & Accessories



F241SH
Polycarbonate Shield

F241WG
Wire Guard

F241SV
Visor Shield