

Lumen Tech

Lighting, LLC.

Design PM22S Slip-Fitter Mount Area Light Maximum 1000W Metal Halide Or High Pressure Sodium

Specifications

Housing: Die cast aluminum construction with corrosion resistant hardware. Adjustable 23/8" tenon slip-fitter mount. See finish note.

Door Frame: Die cast aluminum, one piece silicone gasket, seals door frame to housing. See finish note.

Lens: Impact resistant clear tempered glass, silicone caulked to door frame.

Reflector: Anodized aluminum, designed for maximum efficiency, type III distribution.

Ballast: Pre-wired C.W.A., H.P.F. core and coil with capacitor.

Lamp: Clear mogul base, (by others).

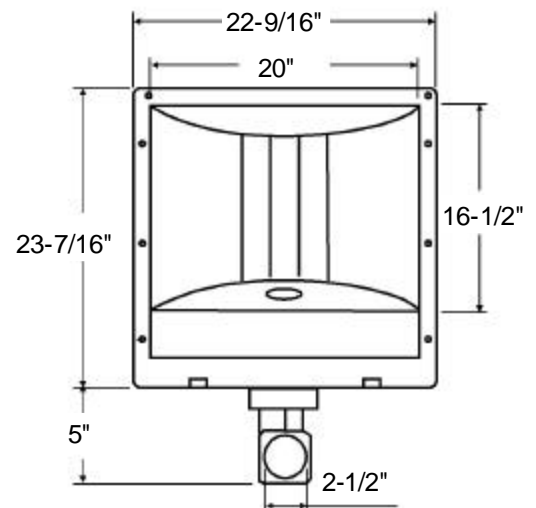
Lamp Holder: High heat 4 K.V. rated, w/nickel plated copper screw shell, spring loaded center contact.

Finish: Dark Bronze, detergent cleaned, prime coated. Chip resistant powder urethane polyester coating.

Photometric Information: Contact factory.

Labels: U/L, CUL listed suitable for wet location.

SPECIFICATIONS SUBJECT TO CHANGE WITHOUT NOTICE



Ordering Information

Catalog Number	Watts	Light Source
PM22S250H	250	HPS
PM22S400H	400	HPS
PM22S1000H	1000	HPS
PM22S250M	250	MH
PM22S400M	400	MH
PM22S1000M	1000	MH

Options & Accessories



PM22SSH
Polycarbonate Shield

PM22SWG
Wire Guard

PM22SV
Visor Shield