

Lumen Tech

Lighting, LLC.

Design PM26A Arm Mount Area Light Maximum 400W Metal Halide Or High Pressure Sodium

Specifications

Housing: Die cast aluminum construction with corrosion resistant hardware. Extruded aluminum arm for pole mounting. See finish note.

Door Frame: Die cast aluminum, one piece silicone gasket, seals door frame to housing. See finish note.

Lens: Impact resistant clear tempered glass, silicone caulked to door frame.

Reflector: Anodized aluminum, designed for maximum efficiency, type III distribution.

Ballast: Pre-wired C.W.A., H.P.F. core and coil with capacitor.

Lamp: Clear mogul base, (by others).

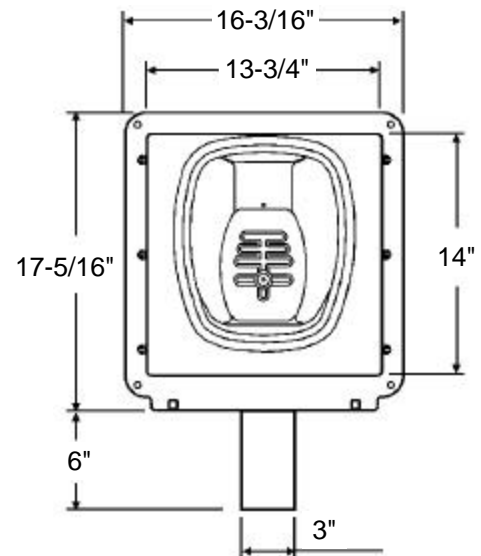
Lamp Holder: High heat 4 K.V. rated, w/nickel plated copper screw shell, spring loaded center contact.

Finish: Dark Bronze, detergent cleaned, prime coated. Chip resistant powder urethane polyester coating.

Photometric Information: Contact factory.

Labels: U/L, CUL listed suitable for wet location.

SPECIFICATIONS SUBJECT TO CHANGE WITHOUT NOTICE



Ordering Information

Catalog Number	Watts	Light Source
PM26A100H	100	HPS
PM26A150H	150	HPS
PM26A250H	250	HPS
PM26A400H	400	HPS
PM26A100M	100	MH
PM26A150M	150	MH
PM26A175M	175	MH
PM26A250M	250	MH
PM26A250MP	250	MH PS
PM26A320MP	320	MH PS
PM26A350MP	350	MH PS
PM26A400M	400	MH
PM26A400MP	400	MH PS