

Lumen Tech

Lighting, LLC.

Design PM26S Slip-Fitter Mount Area Light Maximum 400W Metal Halide Or High Pressure Sodium

Specifications

Housing: Die cast aluminum construction with corrosion resistant hardware. Adjustable 2-3/8" tenon slip-fitter mount. See finish note.

Door Frame: Die cast aluminum, one piece silicone gasket, seals door frame to housing. See finish note.

Lens: Impact resistant clear tempered glass, silicone caulked to door frame.

Reflector: Anodized aluminum, designed for maximum efficiency, type III distribution.

Ballast: Pre-wired C.W.A., H.P.F. core and coil with capacitor.

Lamp: Clear mogul base, (by others).

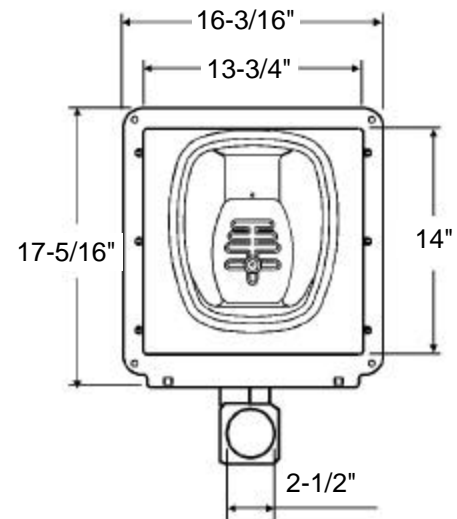
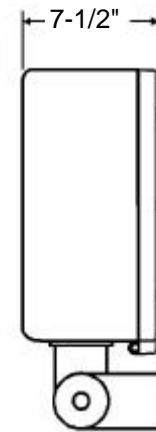
Lamp Holder: High heat 4 K.V. rated, w/nickel plated copper screw shell, spring loaded center contact.

Finish: Dark Bronze, detergent cleaned, prime coated. Chip resistant powder urethane polyester coating.

Photometric Information: Contact factory.

Labels: U/L, CUL listed suitable for wet location.

SPECIFICATIONS SUBJECT TO CHANGE WITHOUT NOTICE



Ordering Information

Catalog Number	Watts	Light Source
PM26S100H	100	HPS
PM26S150H	150	HPS
PM26S250H	250	HPS
PM26S400H	400	HPS
PM26S100M	100	MH
PM26S150M	150	MH
PM26S175M	175	MH
PM26S250M	250	MH
PM26S400M	400	MH