

Lumen Tech

Lighting, LLC.

Design PM26Y
Yoke Mount Area Light
Maximum 400W Metal Halide
Or High Pressure Sodium

Specifications

Housing: Die cast aluminum construction with corrosion resistant hardware. Adjustable yoke mount. See finish note.

Door Frame: Die cast aluminum, one piece silicone gasket, seals door frame to housing. See finish note.

Lens: Impact resistant clear tempered glass, silicone caulked to door frame.

Reflector: Anodized aluminum, designed for maximum efficiency, type III distribution.

Ballast: Pre-wired C.W.A., H.P.F. core and coil with capacitor.

Lamp: Clear mogul base, (by others).

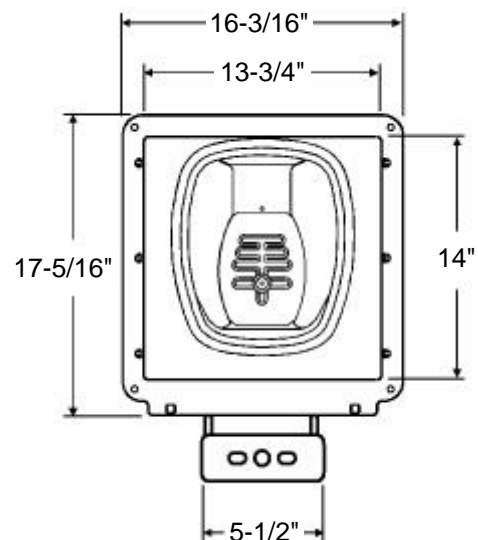
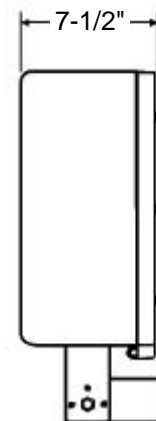
Lamp Holder: High heat 4 K.V. rated, w/nickel plated copper screw shell, spring loaded center contact.

Finish: Dark Bronze, detergent cleaned, prime coated. Chip resistant powder urethane polyester coating.

Photometric Information: Contact factory.

Labels: U/L, CUL listed suitable for wet location.

SPECIFICATIONS SUBJECT TO CHANGE WITHOUT NOTICE



Ordering Information

Catalog Number	Watts	Light Source
PM26Y100H	100	HPS
PM26Y150H	150	HPS
PM26Y250H	250	HPS
PM26Y400H	400	HPS
PM26Y100M	100	MH
PM26Y150M	150	MH
PM26Y175M	175	MH
PM26Y250M	250	MH
PM26Y400M	400	MH