

Lumen Tech

Lighting, LLC.

Design SC301
Surface Mount Wall Sconce
Maximum 175W Metal Halide
150W High Pressure Sodium
Or 32W PLT Compact Fluorescent

Specifications

Housing: Heavy duty cast aluminum with quick mount system. Powder coated finish. See finish note.

Lens: Clear tempered glass silicone sealed to door frame.

Reflector: Anodized aluminum, computer designed for efficiency, classified type III full cut-off dark sky compliant.

Ballast: H.I.D.: Pre-wired C.W.A., H.P.F. core and coil with capacitor. **CF:** Compact fluorescent electronic high power factor class P, universal voltage 120 thru 277 volt; 50/60 Hz.

Lamp: H.I.D.: Clear medium base. **CF:** PLT lamp max. 32W, 4 pin base (by others).

Lamp Holder: H.I.D.: High heat 4 K.V. rated, w/nickel plated copper screw shell, spring loaded center contact.

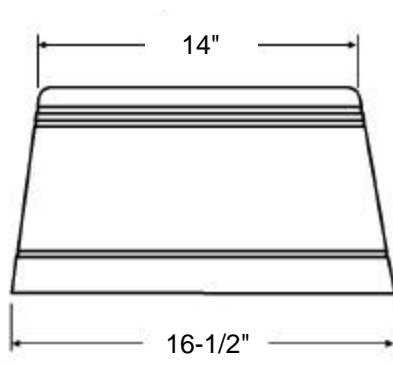
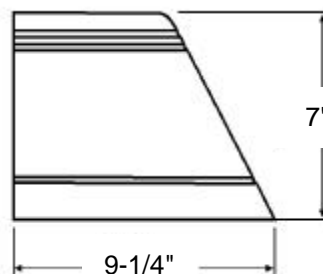
CF: White thermoplastic with snap-in lamp retainer springs.

Finish: Bronze, detergent cleaned, prime coated chip resistant powder urethane polyester coating. Contact factory for other colors.

Photometric Information: Contact factory.

Labels: U/L, CUL listed suitable for wet location.

SPECIFICATIONS SUBJECT TO CHANGE WITHOUT NOTICE



Ordering Information

Catalog Number	Watts	Light Source
SC301T26	26	Compact Fluorescent
SC301T32	32	Compact Fluorescent
SC30170H	70	HPS
SC301100H	100	HPS
SC301150H	150	HPS
SC30170M	70	MH
SC301100M	100	MH
SC301150M	150	MH
SC301175M	175	MH

Quick Mount System

