

# Lumen Tech

Lighting, LLC.

## Design VWS Oval Wall Mount Down Light Cylinder

### Specifications

**Cylinder:** Oval extruded aluminum cylinder, hinged die-cast ballast compartment with safety cable. See finish note.

**Mounting Bracket:** Unique wall mount bracket for quick and easy installation.

**Lens:** Clear tempered glass lens silicone caulked to lens frame.

**Reflector:** Anodized aluminum reflector computer designed for maximum efficiency.

**Ballast: H.I.D.** Pre-wired C.W.A., H.P.F. core and coil with capacitor. **CF** Compact fluorescent electronic high power factor class P, universal voltage 120 thru 277 volt; 50/60 Hz.

**Lamp: H.I.D.** Clear medium base. **CF** PLT lamp max. 42W, 4 pin base (by others).

**Lamp Holder: H.I.D.:** High heat 4 K.V. rated, w/nickel plated copper screw shell, spring loaded center contact. **CF:** White thermoplastic with snap-in lamp retainer springs.

**Finish:** White, black or bronze detergent cleaned, prime coated chip resistant powder urethane polyester coating. Contact factory for other colors.

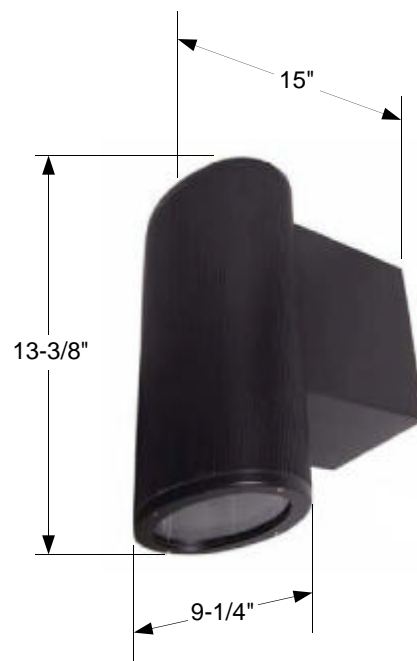
**Photometric Information:** Contact factory.

**Labels:** U/L listed. Suitable for wet location.

*SPECIFICATIONS SUBJECT TO CHANGE WITHOUT NOTICE*



Dimensions



### Ordering Information

Catalog Number	Watts	Light Source
VWST26	1-26	Compact Fluorescent
VWST32	1-32	Compact Fluorescent
VWST42	1-42	Compact Fluorescent
VWS50H	50	HPS
VWS70H	70	HPS
VWS100H	100	HPS
VWS150H	150	HPS
VWS39M	39	MH
VWS50M	50	MH
VWS70M	70	MH
VWS100M	100	MH
VWS150M	150	MH
VWS175M	175	MH