

# Lumen Tech

Lighting, LLC.

**Design WP70**  
Surface Mount Wall Pack  
Maximum 100 Watt Metal Halide  
Or High Pressure Sodium

## Specifications

**Housing:** Heavy duty cast aluminum. Bronze powder coated finish. See finish note.

**Lens:** High impact/heat resistant borosilicate glass refractor computer designed for wide distribution pattern, silicone sealed to door frame.

**Reflector:** Anodized aluminum, computer designed in conjunction with the lens for efficiency.

**Ballast:** Pre-wired C.W.A., H.P.F. core and coil with capacitor.

**Lamp:** Clear medium base lamp (by others).

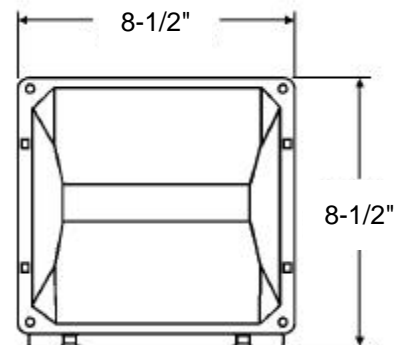
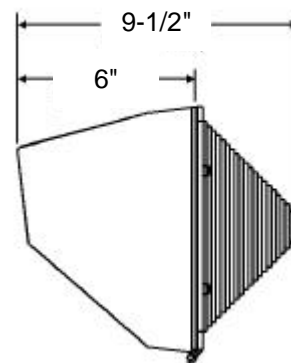
**Lamp Holder:** High heat 4 K.V. rated, w/nickel plated copper screw shell, spring loaded center contact.

**Finish:** Bronze, detergent cleaned, prime coated. Chip resistant powder urethane polyester coating.

**Photometric Information:** Contact factory.

**Labels:** U/L, CUL listed suitable for wet location.

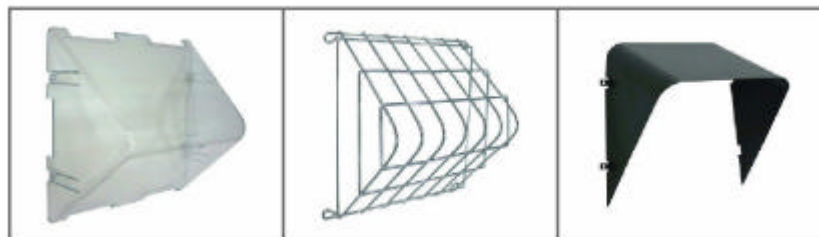
*SPECIFICATIONS SUBJECT TO CHANGE WITHOUT NOTICE*



## Ordering Information

Catalog Number	Watts	Light Source
WP7050H	50	HPS
WP7070H	70	HPS
WP70100H	100	HPS
WP7050M	50	MH
WP7050M	70	MH
WP7050M	100	MH

## Options & Accessories



**WP70VS** Vandal Shield

**WP70WG** Wire Guard

**WP70VI** Visor