

Lumen Tech

Lighting, LLC.

Design WP71

Surface Mount Wall Pack
Maximum 175 Watt Metal Halide
Or 150W High Pressure Sodium

Specifications

Housing: Heavy duty cast aluminum. Bronze powder coated finish. See finish note.

Lens: High impact/heat resistant borosilicate glass refractor computer designed for wide distribution pattern, silicone sealed to door frame.

Reflector: Anodized aluminum, computer designed in conjunction with the lens for efficiency.

Ballast: Pre-wired C.W.A., H.P.F. core and coil with capacitor.

Lamp: Clear medium base lamp (by others).

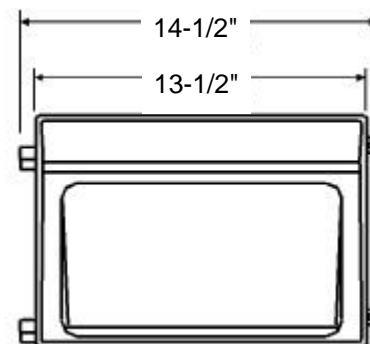
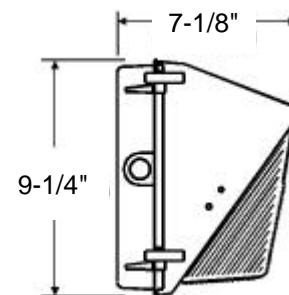
Lamp Holder: High heat 4 K.V. rated, w/nickel plated copper screw shell, spring loaded center contact.

Finish: Bronze, detergent cleaned, prime coated. Chip resistant powder urethane polyester coating.

Photometric Information: Contact factory.

Labels: U/L, CUL listed suitable for wet location.

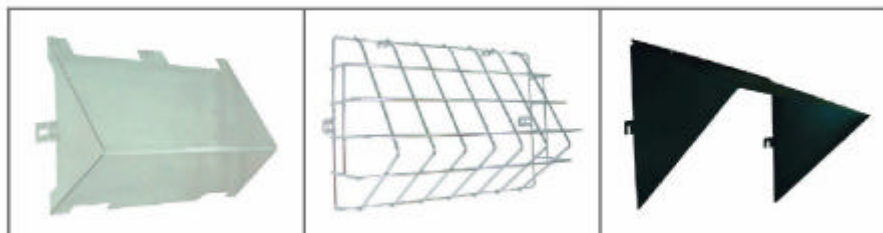
SPECIFICATIONS SUBJECT TO CHANGE WITHOUT NOTICE



Ordering Information

Catalog Number	Watts	Light Source
WP7150H	50	HPS
WP7170H	70	HPS
WP71100H	100	HPS
WP71150H	150	HPS
WP7150M	50	MH
WP7170M	70	MH
WP71100M	100	MH
WP71175M	175	MH

Options & Accessories



WP71VS Vandal Shield

WP71WG Wire Guard

WP71VI Visor