

Lumen Tech

Lighting, LLC.

Design WP727

Surface Mount Wall Pack
Maximum 400 Watt Metal Halide
Or 400W High Pressure Sodium

Specifications

Housing: Heavy duty cast aluminum. Bronze powder coated finish. See finish note.

Lens: High impact/heat resistant borosilicate glass refractor computer designed for wide distribution pattern, silicone sealed to door frame.

Reflector: Anodized aluminum, computer designed in conjunction with the lens for efficiency.

Ballast: Pre-wired C.W.A., H.P.F. core and coil with capacitor.

Lamp: Clear mogul base lamp (by others).

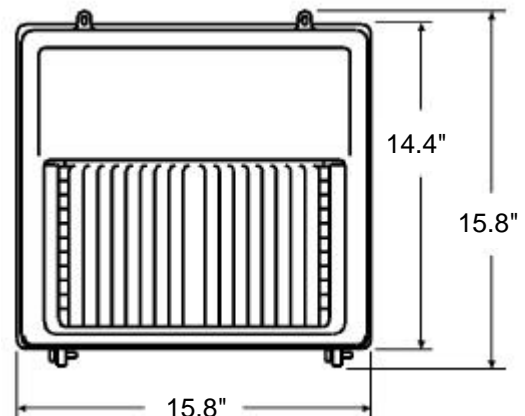
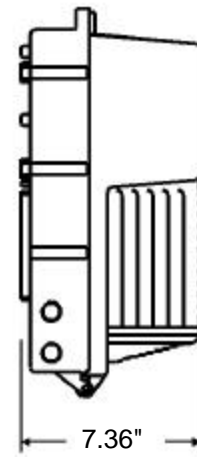
Lamp Holder: High heat 4 K.V. rated, w/nickel plated copper screw shell, spring loaded center contact.

Finish: Bronze, detergent cleaned, prime coated. Chip resistant powder urethane polyester coating.

Photometric Information: Contact factory.

Labels: U/L, listed suitable for wet location.

SPECIFICATIONS SUBJECT TO CHANGE WITHOUT NOTICE



Ordering Information

Catalog Number	Watts	Light Source
WP727250H	250	HPS
WP727400H	400	HPS
WP727250M	250	MH
WP727250MP	250	MH PS
WP727320M	320	MH PS
WP727400M	400	MH
WP727400MP	400	MH PS