

Lumen Tech

Lighting, LLC.

Design WP768
Surface Mount Wall Pack
Maximum 400 Watt Metal Halide
Or High Pressure Sodium

Specifications

Housing: Heavy duty cast aluminum. Bronze powder coated finish. See finish note.

Lens: High impact/heat resistant frosted tempered glass lens designed for wide distribution pattern, silicone sealed to door frame.

Reflector: Anodized aluminum, computer designed in conjunction with the lens for efficiency.

Ballast: Pre-wired C.W.A., H.P.F. core and coil with capacitor.

Lamp: Clear medium base lamp (by others).

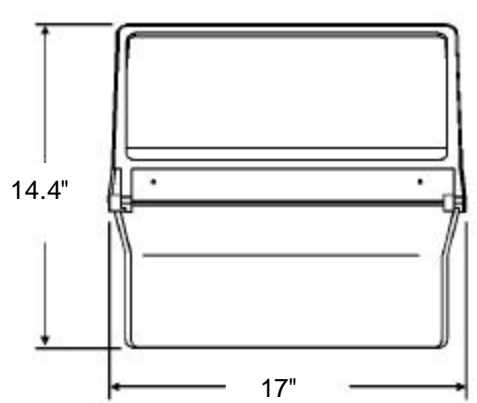
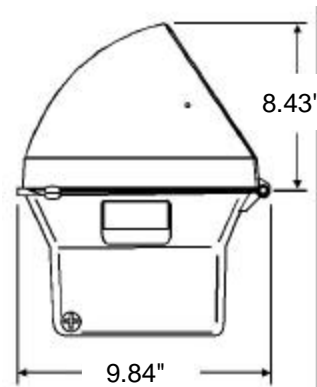
Lamp Holder: High heat 4 K.V. rated, w/nickel plated copper screw shell, spring loaded center contact.

Finish: Bronze, detergent cleaned, prime coated. Chip resistant powder urethane polyester coating.

Photometric Information: Contact factory.

Labels: U/L, CUL listed suitable for wet location.

SPECIFICATIONS SUBJECT TO CHANGE WITHOUT NOTICE



Ordering Information

Catalog Number	Watts	Light Source
WP768150H	150	HPS
WP768250H	250	HPS
WP768400H	400	HPS
WP768175M	175	MH
WP768250M	250	MH
WP768250MP	250	MH PS
WP768320MP	320	MH PS
WP768350MP	350	MH PS
WP768400M	400	MH
WP768400MP	400	MH PS

Options & Accessories



WP768VS Vandal Shield



WP768WG Wire Guard



WP768VI Visor